

Tall Lite



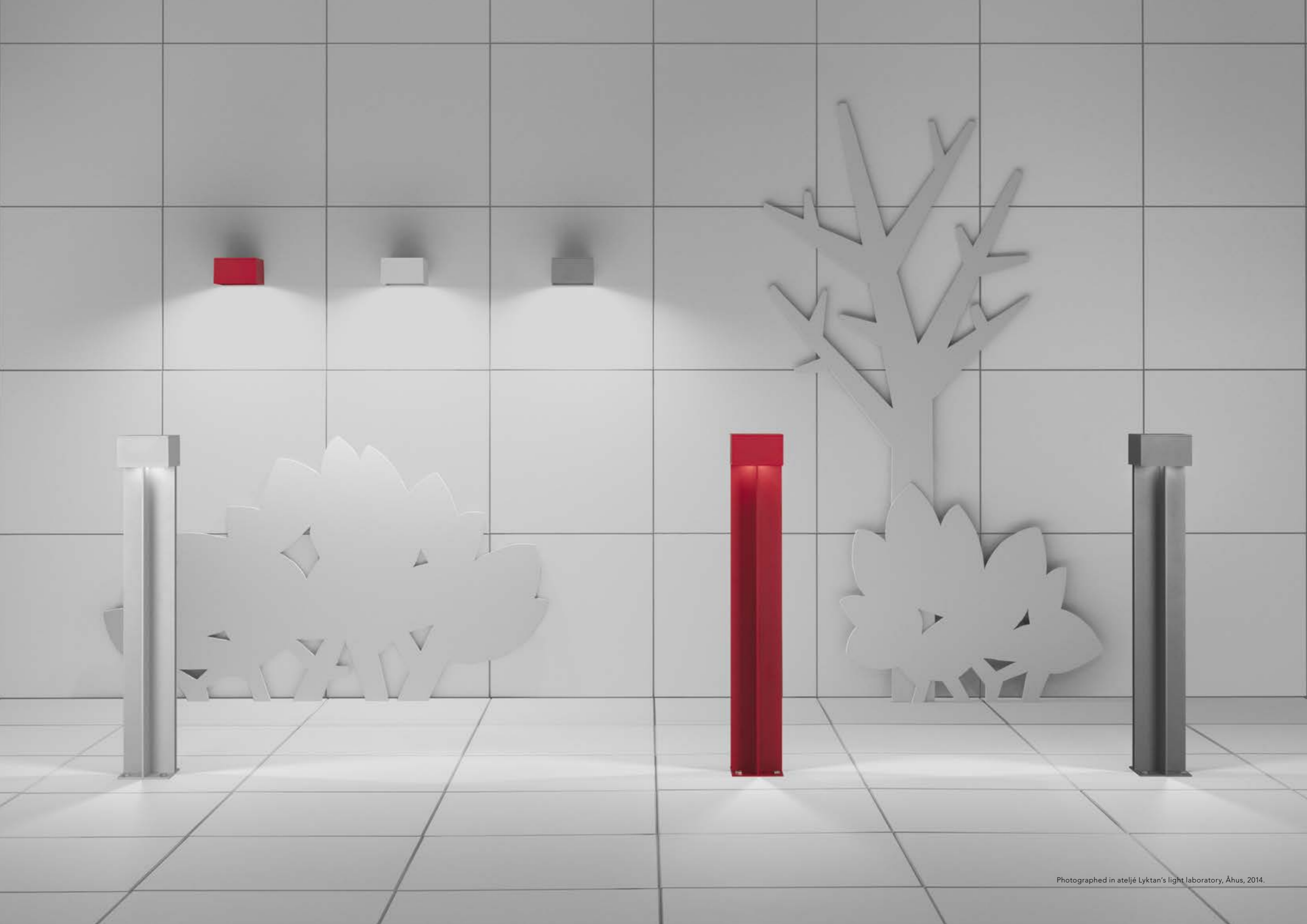
ateljé Lyktan

MEMBER OF THE FAGERHULT GROUP



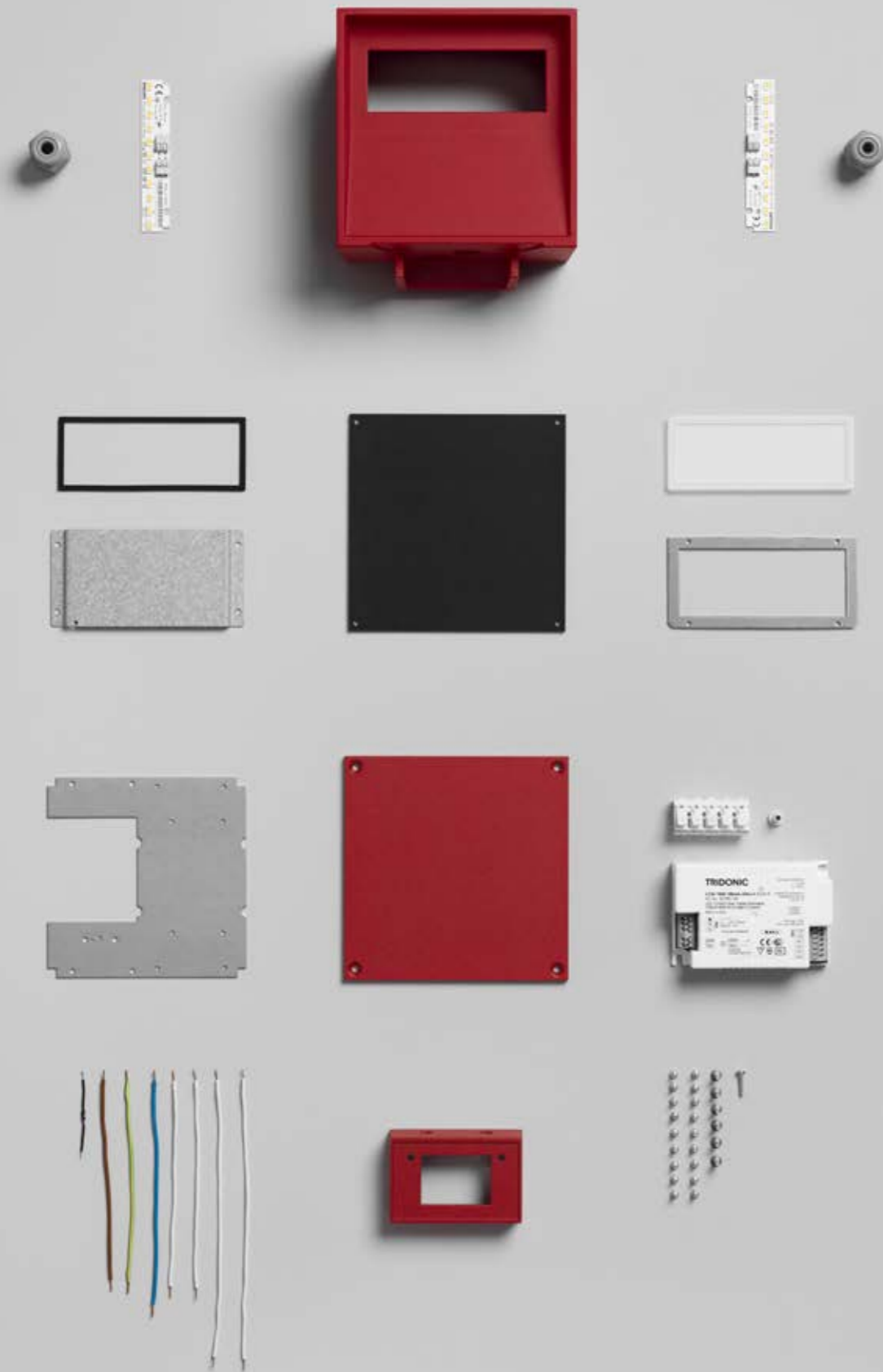
When Jan and Hans Forsmark created the Corten steel bollard Tall for the globally acclaimed Tree hotel architectural project in Norrbotten, it would not be long before requests and demands were made for a development of the luminaire. The brothers went back to the drawing board and created a small family that now included façade and wall luminaires, and a variant of the existing Corten steel bollard. Aluminium was selected as the material, which allows us to customize colour choices easily.

The outcome was Tall's characteristic artistic idiom, extremely well shaded and with the same good light qualities, but now also available in cast aluminium. A fully recyclable material that allows powder coating in the standard colours ruby red, aluminium grey and anthracite grey. There are also signboard accessories such as numerals and letters for entrances and doors on the wall version.



The wall version allows the same artistic expression to be used on façades and at ground level.

Technical information



Tall Lite Wall

Material	Luminaire housing in cast aluminium. Luminaire cover in 5 mm aluminium sheet. Shade in frosted PMMA.
Installation	Brackets attached to wall using suitable screws. Luminaire for external cable available on request.
Connection	Pluggable terminal block 3x2.5 mm ² . Feed through in luminaire housing.
Standard colour	Aluminium grey textured RAL9006, Anthracite grey textured RAL9023, Ruby red textured RAL3003. Other colours available on request.
Other	Incl. LED light source, colour temperature 3000K. Colour rendering Ra 80. Chromaticity tolerance 3.5 SDCM. Light source lifetime 50.000h B50L70. Lifetime, driver 100.000h. Weight: 2.5 kg. Number of luminaires per B16 fuse: 170 with 2.5 mm ² cable.

Design by Designat Ijus, Jan and Hans Forsmark



Description	LxWxH (mm)	Luminaire power	Luminaire flux	Luminaire efficacy	Part no.	Colour	Colour temperature
On/off	155x177x92	8W LED	541 lm	68 lm/W	205385	Ruby red	3000K
On/off	155x177x92	8W LED	541 lm	68 lm/W	205385-233	Anthracite grey	3000K
On/off	155x177x92	8W LED	541 lm	68 lm/W	205385-236	Aluminium grey	3000K
DALI	155x177x92	8W LED	541 lm	68 lm/W	205386	Ruby red	3000K
DALI	155x177x92	8W LED	541 lm	68 lm/W	205386-233	Anthracite grey	3000K
DALI	155x177x92	8W LED	541 lm	68 lm/W	205386-236	Aluminium grey	3000K
Accessory	Dimensions				Part. no.	Colour	
Signboard for numerals and letters	150 mm below luminaire				205388	Ruby red	
Signboard for numerals and letters	150 mm below luminaire				205388-233	Anthracite grey	
Signboard for numerals and letters	150 mm below luminaire				205388-236	Aluminium grey	
Numerals and letters*	H=60 mm				205389	Stainless steel	

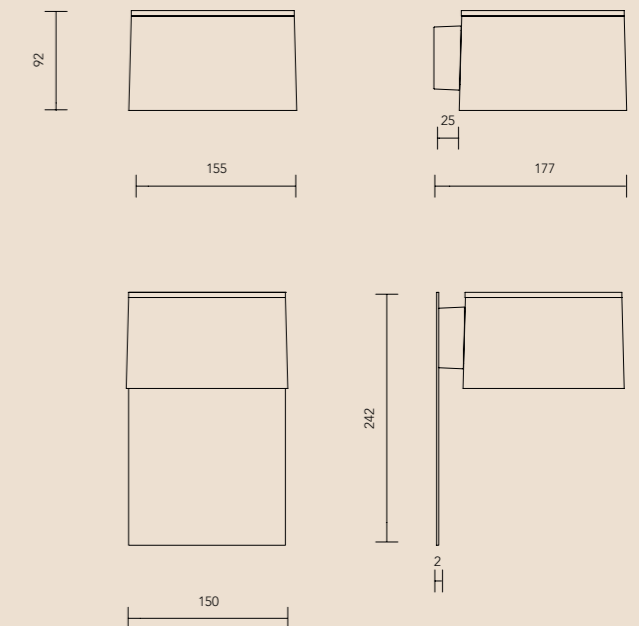
State on order which numerals and/or letters must be included. For letters after D, offer and design on request.



Signboard for numerals and letters is available as an accessory.



Tall wall is equipped with LEDs from Philips.



Tall Lite Bollard

Material	Luminaire housing in cast aluminium. Body made from extruded aluminium.
Installation	Fastened by bolts (4 x M12) in a solid base or on a mounting for 108 foundation or for in-situ casting. Ordered separately, see accessories.
Connection	Cable (max Ø13 mm) connected to luminaire housing (terminal block 5x2.5 mm ²). Feed through possible. Strain relief for cable in luminaire housing.
Shade	Clear PC.
Standard colour	Aluminium grey textured RAL9006, Anthracite grey textured RAL9023, Ruby red textured RAL3003. Other colours available on request.
Other	Incl. LED light source, colour temperature 3000K. Colour rendering Ra 85. Chromaticity tolerance 3 SDCM. Light source lifetime 50.000h B50L70. Lifetime, driver 50.000h.

Design by Designat ljus, Jan and Hans Forsmark

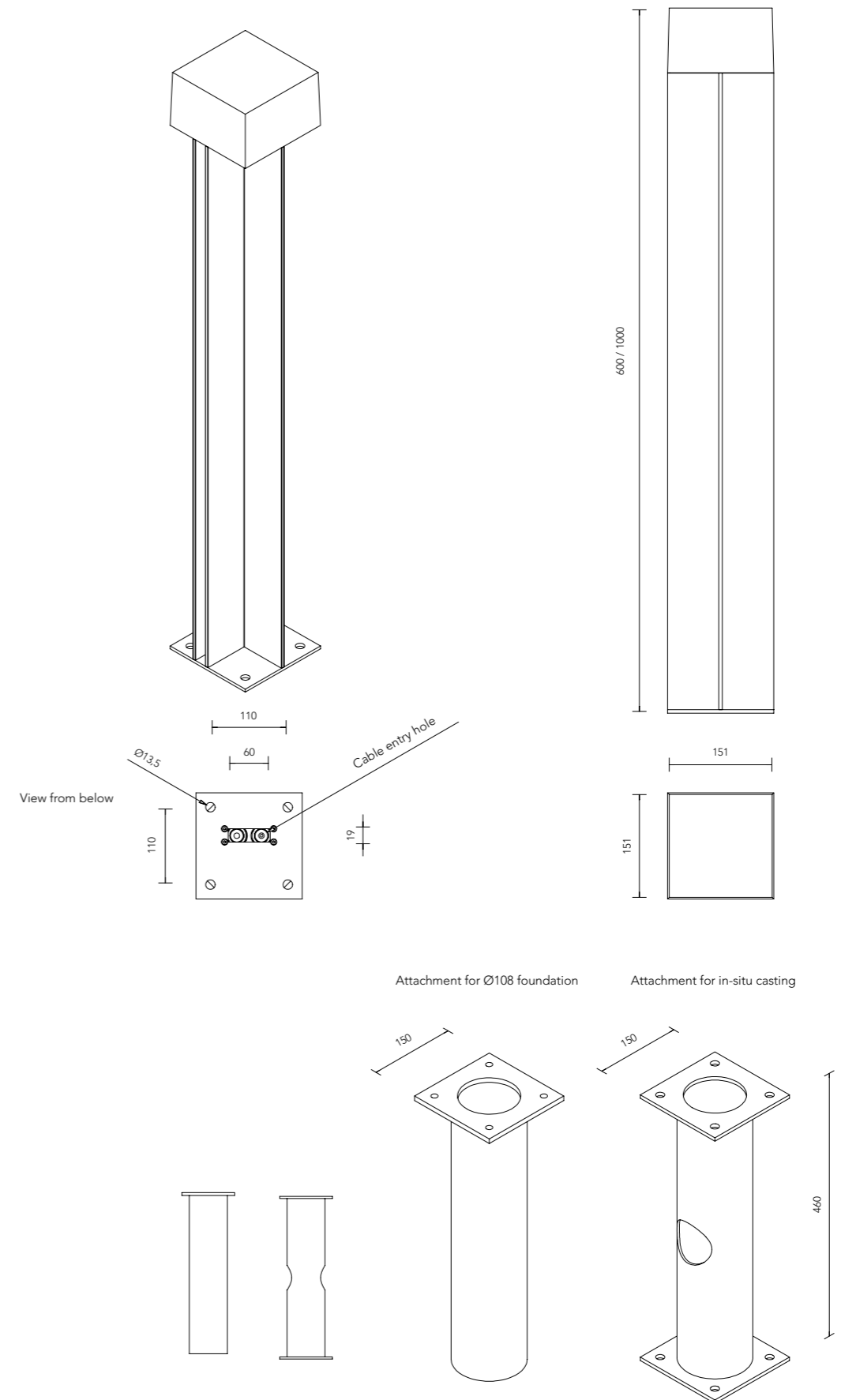


Description	LxWxD (mm)	Luminaire power	Luminaire flux	Luminaire efficacy	Part.no.	Colour	Colour temperature
On/off	600x150x150	11W LED	500 lm	45 lm/W	205383	Ruby red	3000K
On/off	600x150x150	11W LED	500 lm	45 lm/W	205383-233	Anthracite grey	3000K
On/off	600x150x150	11W LED	500 lm	45 lm/W	205383-236	Silver grey	3000K
On/off	1000x150x150	11W LED	500 lm	45 lm/W	205384	Ruby red	3000K
On/off	1000x150x150	11W LED	500 lm	45 lm/W	205384-233	Anthracite grey	3000K
On/off	1000x150x150	11W LED	500 lm	45 lm/W	205384-236	Silver grey	3000K
Mounting					Part no.	Colour	
For 108 foundation					205381	Hot dipped zinc steel	
For in-situ casting					205382	Hot dipped zinc steel	

* Calculated theoretical value. For precise values, visit www.atelje-lyktan.se



For Tall bollard in Corten steel, visit www.atelje-lyktan.se



Head Office

Fyrvaktaregatan 7, SE-296 81 Åhus
Tel: +46 (0)44 28 98 00 Fax: +46 (0)44 28 98 38
Email: info@atelje-lyktan.se

Offices

Stockholm
Hesselmans Torg 9, SE-131 54 Nacka

Gothenburg
Sofierogatan 3A, SE-412 51 Gothenburg

Malmö
Slussgatan 10, SE-211 30 Malmö

Boden
Pontonjärvägen 10, SE-961 43 Boden

www.atelje-lyktan.se