

Simris



ateljé Lyktan

MEMBER OF THE FAGERHULT GROUP



After a lighting exhibition in Copenhagen, 1970, Anders Pehrson, the CEO of ateljé Lyktan, was asked by Olympics organisers in Munich, whether the company could send a proposal for a lighting solution for the Olympic Games of 1972. The concept for a luminaire called Simris was developed for both floor and desk lamps, and after months of negotiations, meetings in Germany and amended proposals, three suppliers were chosen out of hundreds of other European lighting companies. ateljé Lyktan was one of the three chosen companies, which also won the largest part of the assignment: 16.300 lamps, accounting for 70% of the total order. This meant that ateljé Lyktan would provide virtually all the interior lighting for the Olympic Village.

To date, this is the largest order in the history of ateljé Lyktan, and there were four reasons why the luminaires were chosen to light up the Olympic Village: good design, good functionality, excellent quality and reasonable price.



**Simris original
characteristic features
in design and material
remain the same.**

Technical details



Simris

Material	Lamp housing in aluminium. Stand in chromed steel. Foot plate in leather covered steel. Glare shield in injection molded acrylic (PC). Red textile cable.
Connection	2 m halogen-free feed cable with Plug-in driver, connected to the outlet.
Colour	White RAL9016 with natural coloured foot in leather or Black RAL9017 with black coloured foot in leather. La- quered details in gloss number 30.
Other	Samsung LED light source, light colour 3000K (Ra min. 80). Chromaticity tolerance <5 SDCM. Rated life: 50 000 L70. Light control 0-100% via the sensor surface placed on top of the lamp housing, so called TouchDim. On/off via the same sensor surface. Set value is retained after power failure.

Design by Anders Pehrson



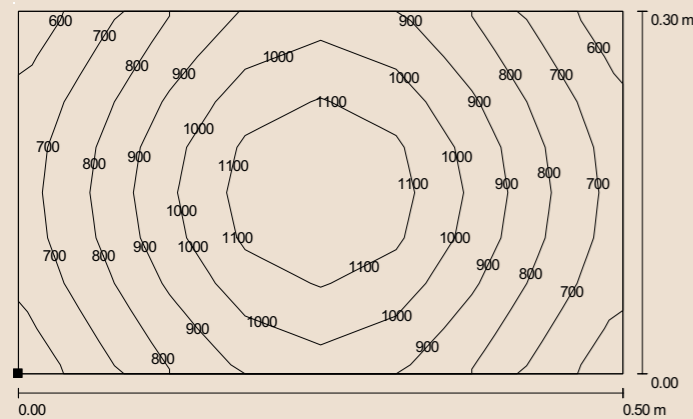
Description	ØxH (mm)	Luminaire power	Luminaire luminous flux	Luminaire luminous efficacy	Art.no.	Colour
Simris Table	180x max 530	LED 12W	582 lm	47 lm/W	201926	White
Simris Table	180x max 530	LED 12W	582 lm	47 lm/W	201927	Black
Simris Floor	180x max 1350	LED 12W	582 lm	47 lm/W	201928	White
Simris Floor	180x max 1350	LED 12W	582 lm	47 lm/W	201929	Black



The so called "cross joint" has been significant for Simris since the beginning. Due to this it is possible to regulate the luminaire in height and length.

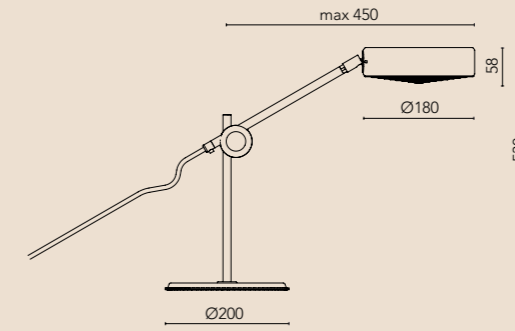


Light control via the sensor surface, so called "TouchDim". On/off via the same sensor surface.

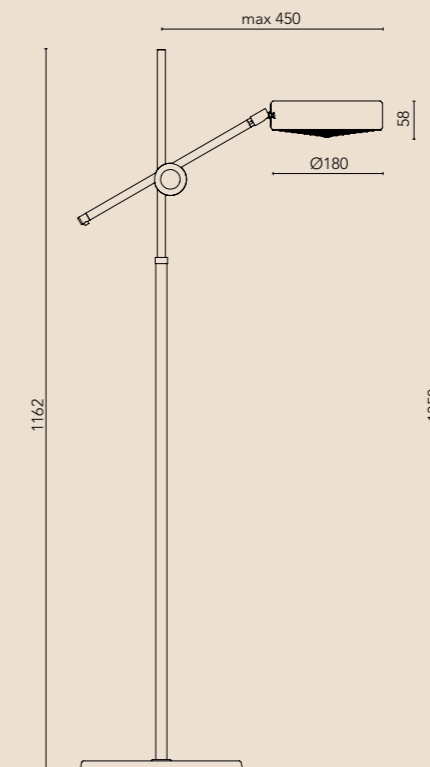


Calculating plane:
Emed: 899
Emin: 565
Emax: 1242

Table



Floor



Now, we are re-launching Simris, in two different floor models and two table models, available in black or white with the base in leather-covered steel. Simris is highly contemporary, designed with LED, with a dimmer via a sensor plate located on the top of the luminaire housing, and a red textile cable. The original characteristic features in design and material remain the same.



Head office

Fyrvaktaregatan 7, SE-296 81 Åhus, Sweden
Phone: +46 (0)44 28 98 00 Fax: +46 (0)44 28 98 38
E-mail: info@atelje-lyktan.se

Offices

Stockholm
Hesselmans Torg 9, SE-131 54 Nacka

Göteborg
Sofierogatan 3A, SE-412 51 Göteborg

Malmö
Slussgatan 10, SE-211 30 Malmö

Boden
Pontonjärvägen 10, SE-961 43 Boden

www.atelje-lyktan.se/en