

S. Det är lämpligt att denna information överlämnas till användaren av anläggningen.

GB. It is appropriate that this information is passed on to the user of the installation.

D. Diese Informationen sind für den Benutzer der Anlage vorgesehen.

SF. Tämä ohje on suositeltava luovuttaa.

Montageanvisning LEVEL Slim

Assembly instruction LEVEL Slim

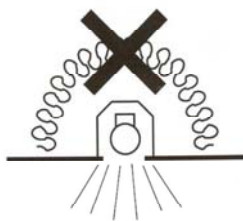
LEVEL Slim can be used in suspended ceilings 600x600 grid.

For assembly on fixed ceilings see separate assembly instruction - surface ceiling.

LED DRIVER

See next page for connection to driver.

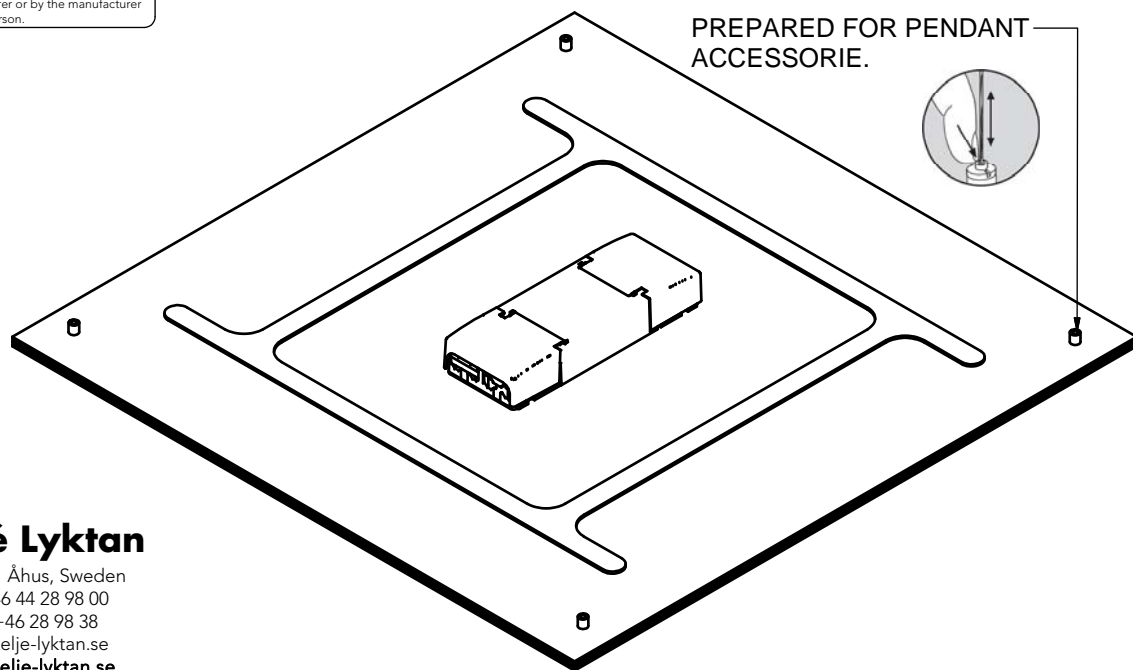
Delivered with double sided adhesive. For fixation to luminaire remove adhesive protection and fix driver to backside of luminaire.



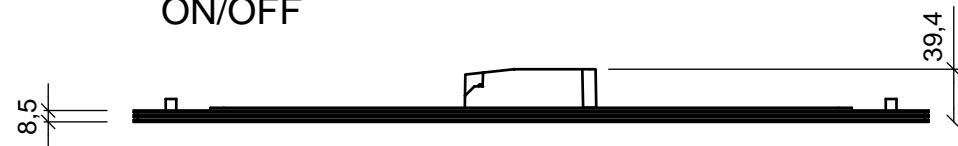
LUMINAIRE NOT TO BE COVERED WITH THERMALLY INSULATING MATERIALS

S. Om armaturens kabel skulle skadas eller om armaturen inte fungerar som den ska, skall dessa komponenter kontrolleras/bytas av tillverkaren eller av tillverkarens utsedd person.

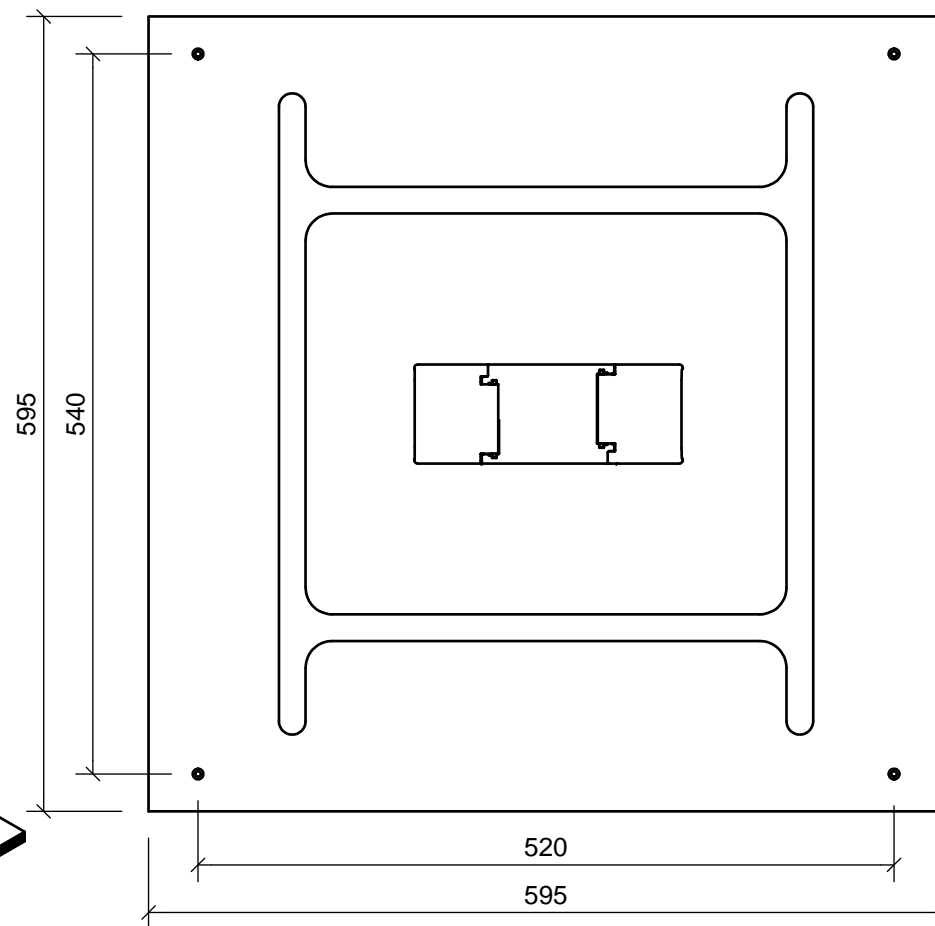
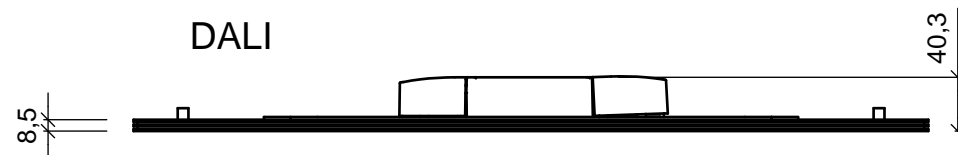
GB. If the luminaire cable is damaged or if the luminaire is not working properly, it shall exclusively be checked/replaced by the manufacturer or by the manufacturer designated person.



ON/OFF



DALI



Correct Disposal of this product



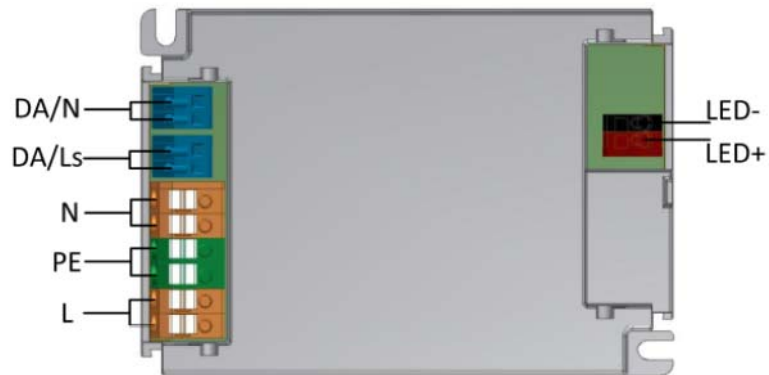
This marking indicates that this product should not be disposed with other household wastes throughout the EU. To prevent possible harm to the environment or human health from uncontrolled waste disposal, recycle it responsibly to promote the sustainable reuse of material resources. To return your used device, please use the return and collection systems or contact the retailer where the product was purchased. They can take this product for environmental safe recycling.

ateljé Lyktan

SE-296 81 Åhus, Sweden
Tel: +46 44 28 98 00
Fax: +46 28 98 38
info@ateljje-lyktan.se
www.ateljje-lyktan.se

MA4270
2017-07-05 MAJO

Installation instructions DALI



LEVEL Slim DALI is preprogrammed for 700mA.

There is no limit in the length of the dim cable or the number of switches connected. The only limitation is the maximum number of drivers, which is 30 per dimming unit.

Installation instructions ON/OFF



LEVEL Slim ON/OFF standard article is delivered with preassembled resistor for 700mA. The resistors can be replaced for different lumen outputs. Enclosed you can find resistors for 300mA, 500mA and 950 mA.

Resistor	Luminaire Lumen Output (lm)
300mA	1330
500mA	2200
700mA	3060
950mA	4110