

Halo



ateljé Lyktan

MEMBER OF THE FAGERHULT GROUP

Stefan Borselius was asked to design an outdoor luminaire for the street environment to add to ateljé Lyktan's outdoor product range. It had to fit in with many different surroundings – everything from old city districts to more modern architecture. The result was Halo.

“I started out with a basic shape, the circle, a sphere. I wanted to create something that would blend in with the surroundings. A shining globe, like a little moon,” Stefan tells us. The globe is illuminated with the warm its full brightness downwards to illuminate the ground. And thanks to the LED module located at the bottom of the globe, light pattern can be symmetric or asymmetric. The LED module is protected by a flat, hardened glass pane located a little way inside the luminaire so as not to dazzle from a distance. The dark aluminium edging emphasizes the shape of the circle and is repeated on the top.

The luminaire is available in two sizes, 600 and 450 mm in diameter. The larger lamp is intended primarily for street lighting and can be suspended from wires or fixed to a lamp post or wall. The smaller lamp is optimized for street and park environments. The luminaire body, wire attachment fitting and lamp post connection are in cast aluminium. The sphere is in pressed opal acrylic well suited to our tough, Nordic climate.



**Halo shines with the warm,
pleasant LED light that gives
the luminaire its shape.
A globe that lights the way.**

Technical information



Halo 600

Material	Luminaire body, wire attachment fitting and connection to lamp post in cast aluminium. Shade in impact-resistant opal acrylic.
Installation	For mounting on 48 mm lamp post arms. Threaded connection can be made on request. Alternative wire suspension.
Connection	Lamp post/Wall: The luminaire is supplied with 0.5 cable and a pluggable terminal block. Suspension wire: The luminaire is supplied with a terminal box 5x2.5 mm ² . Standard terminal box does not permit through-wiring (only on request).
Standard colour	Anthracite grey textured RAL9023 or aluminium grey textured RAL9006. Other colours available on request.
Reflector	Asymmetric street lighting optics using lens technology.
Light scattering	Asymmetric. Three different light models. Light module, M1: Symmetric rectangular light pattern. LM2: Roads and walkways. LM3: Roads and car parks.
Light source	Including LED module fitted with Lumiled Luxeon Tx, colour temperature 3000K or 4000K. Fitted with LEDIL lenses for street lighting. Colour rendering CRI min 80. Chromaticity tolerance max 5 SDCM.
Other	Projected wind area 0.16 m ² . Weight 15.5 kg Arm: 8 kg. Arm ordered separately. DALI, 1-10V and night reduction technology available on request.

Design by Stefan Borselius



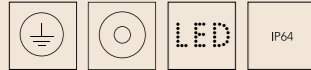
Description	ØxH (mm)	Luminaire flux	Part no. 4000K	Part no. 3000K	Light module	Colour
For wire suspension	600x624	4450 lm	208480	208978	LM1	Aluminium grey
For wire suspension	600x624	4450 lm	208481	208979	LM1	Anthracite grey
For wire suspension	600x624	4450 lm	208482	208980	LM2	Aluminium grey
For wire suspension	600x624	4450 lm	208483	208981	LM2	Anthracite grey
For wire suspension	600x624	5250 lm	208487	208985	LM1	Aluminium grey
For wire suspension	600x624	5250 lm	208488	208986	LM1	Anthracite grey
For wire suspension	600x624	5250 lm	208489	208987	LM2	Aluminium grey
For wire suspension	600x624	5250 lm	208490	208988	LM2	Anthracite grey
For wire suspension	600x624	6150 lm	208494	208996	LM1	Aluminium grey
For wire suspension	600x624	6150 lm	208495	208997	LM1	Anthracite grey
For wire suspension	600x624	6150 lm	208496	208998	LM2	Aluminium grey
For wire suspension	600x624	6150 lm	208497	208999	LM2	Anthracite grey
For Ø48 mm arm	600x624	2850 lm	208442	208912	LM2	Aluminium grey
For Ø48 mm arm	600x624	2850 lm	208443	208913	LM2	Anthracite grey
For Ø48 mm arm	600x624	2850 lm	208444	208914	LM3	Aluminium grey
For Ø48 mm arm	600x624	2850 lm	208445	208915	LM3	Anthracite grey
For Ø48 mm arm	600x624	4450 lm	208452	208942	LM2	Aluminium grey
For Ø48 mm arm	600x624	4450 lm	208453	208943	LM2	Anthracite grey
For Ø48 mm arm	600x624	4450 lm	208454	208944	LM3	Aluminium grey
For Ø48 mm arm	600x624	4450 lm	208455	208945	LM3	Anthracite grey
For Ø48 mm arm	600x624	5250 lm	208462	208952	LM2	Aluminium grey
For Ø48 mm arm	600x624	5250 lm	208463	208953	LM2	Anthracite grey
For Ø48 mm arm	600x624	5250 lm	208464	208954	LM3	Aluminium grey
For Ø48 mm arm	600x624	5250 lm	208465	208955	LM3	Anthracite grey
For Ø48 mm arm	600x624	6150 lm	208472	208962	LM2	Aluminium grey
For Ø48 mm arm	600x624	6150 lm	208473	208963	LM2	Anthracite grey
For Ø48 mm arm	600x624	6150 lm	208474	208964	LM3	Aluminium grey
For Ø48 mm arm	600x624	6150 lm	208475	208965	LM3	Anthracite grey
Accessories			Anthracite grey	Aluminium grey		
Lamp post arm single 1 m			208990-233	208990-236		
Lamp post arm single 1,5 m			208991-233	208991-236		
Lamp post arm, double, 2x1 m			208992-233	208992-236		
Lamp post arm, double, 2x1,5 m			208993-233	208993-236		
Wall arm 1 m			208994-233	208994-236		

Refer to www.atelje-lyktan.se for current information on luminaire luminous power, luminaire luminous flux and luminaire luminous efficacy.

Halo 450

Material	Luminaire housing and connection to lamp post in cast aluminium. Shade in impact-resistant opal acrylic.
Installation	For mounting on 48 mm lamp post arms (article numbers below) or articulated joint G1/2" (for article numbers, visit www.atelje-lyktan.com).
Connection	The luminaire is supplied with 0.5 cable and a pluggable terminal block.
Standard colour	Anthracite grey textured RAL9023 or aluminium grey textured RAL9006. Other colours available on request.
Diffuser	Clear glass or microprismatic acrylic glass.
Reflector	Maxilux LED, Miro 20 Silver.
Light source	Including LED module Cree 1520, 2520 or 2530, colour temperature 3000K or 4000K. Colour rendering CRI min 80.
Light scattering	Symmetric omnidirectional.
Other	Projected wind area 0.09 m ² . Weight 6.5 kg Arm: 8 kg. Arm ordered separately.

Design by Stefan Borselius



Description	ØxH (mm)	Luminaire luminous flux	Part no. 4000K	Part no. 3000K	Colour
Clear glass	450x464	1100 lm	208870	208860	Aluminium grey
Clear glass	450x464	1100 lm	208871	208861	Anthracite grey
Clear glass	450x464	2000 lm	208872	208862	Aluminium grey
Clear glass	450x464	2000 lm	208873	208863	Anthracite grey
Clear glass	450x464	3000 lm	208874	208864	Aluminium grey
Clear glass	450x464	3000 lm	208875	208865	Anthracite grey
Microprism	450x464	1100 lm	208810	208800	Aluminium grey
Microprism	450x464	1100 lm	208811	208801	Anthracite grey
Microprism	450x464	2000 lm	208812	208802	Aluminium grey
Microprism	450x464	2000 lm	208813	208803	Anthracite grey
Microprism	450x464	3000 lm	208814	208804	Aluminium grey
Microprism	450x464	3000 lm	208815	208805	Anthracite grey
Accessories			Anthracite grey	Aluminium grey	
Lamp post arm single, 1 m			208990-233	208990-236	
Lamp post arm single, 1,5 m			208991-233	208991-236	
Lamp post arm, double, 2x1 m			208992-233	208992-236	
Lamp post arm, double, 2x1,5 m			208993-233	208993-236	
Wall arm, 1 m			208994-233	208994-236	

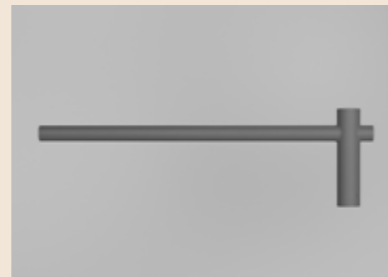
Refer to www.atelje-lyktan.se for current information on luminaire luminous power, luminaire luminous flux and luminaire luminous efficacy.



Halo 450 with symmetrical reflector

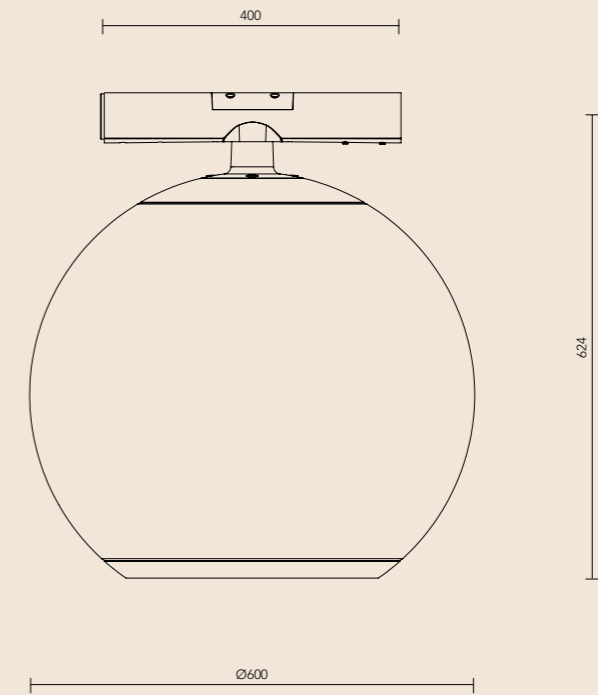


Anti-dazzle for Halo 450.

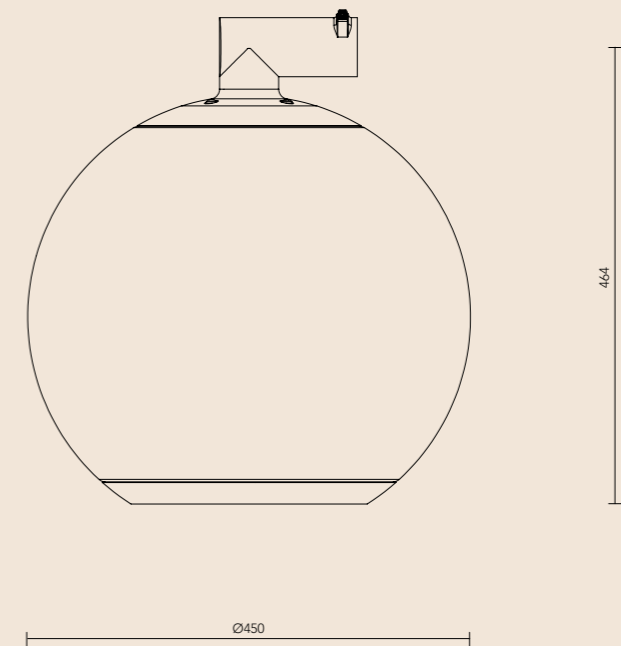


Lamp post arm.

Halo 600



Halo 450



Head Office

Fyrvaktaregatan 7, SE-296 81 Åhus, Sweden
Tel: +46 (0)44 28 98 00 Fax: +46 (0)44 28 98 38
Email: info@ateljelyktan.se

Offices

Stockholm: Hesselmans Torg 9, SE-131 54 Nacka
Gothenburg: Fabriksgatan 7, SE-412 50 Gothenburg
Malmö: Slussgatan 10, SE-211 30 Malmö
Luleå: Västra Varvsgatan 3, SE-972 36 Luleå
England: 33-34 Dolben Street, GB-SE1 0UQ London
Norway: Strandveien 30, Pb 471, N-1327 Lysaker
Finland: Mannerheimintie 113, FI-00280 Helsinki
Russia: Leninskaya Sloboda str. 26, bld. C, office 418, RU-115280 Moscow
The Netherlands: G. van Nijenrodestraat 151, NL-3621 GJ Breukelen
South East Asia: 25 Tagore Lane #03-10, Singapore G Building, Singapore 787602